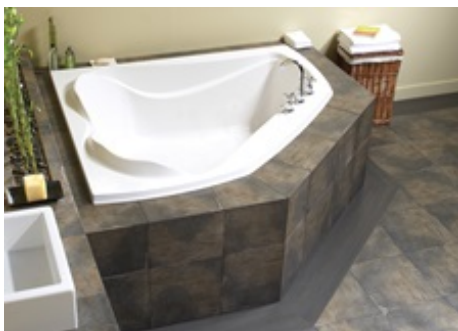


# MAAX SUBMITTAL SPECIFICATIONS

## Cocoon 6054

**MODEL NUMBER 102724**

DIMENSIONS: 60" x 54" x 21" Acrylic



### STANDARD FEATURES

- Designed for two
- Ergonomic headrests and built-in armrests
- Decorative molding
- Headrest channel allows water to drain easily
- Textured bottom
- Drop-in or corner installation

### OPTIONS

- Acrylic apron
- One chromotherapy light
- Water heater assembly (factory installed)
- Microjet trim kit
- Hydrosens trim kit
- Metal trim kit for Air Push Control

### UNIQUE FEATURES

- None

### SYSTEMS

- Microjets
- Hydrosens
- Backmax
- Aerosens
- Combined Aerosens/Hydrosens
- IES MAAX IES 1/2 (factory installed)

### SELECTION

Combine with MAAX's complete shower door offering visit [www.maax.com](http://www.maax.com)

### CERTIFICATIONS

Maax products adhere to one or more of the following certifications:



Project : .....

Contractor : .....

MAAX Representative : ..... Tel : .....

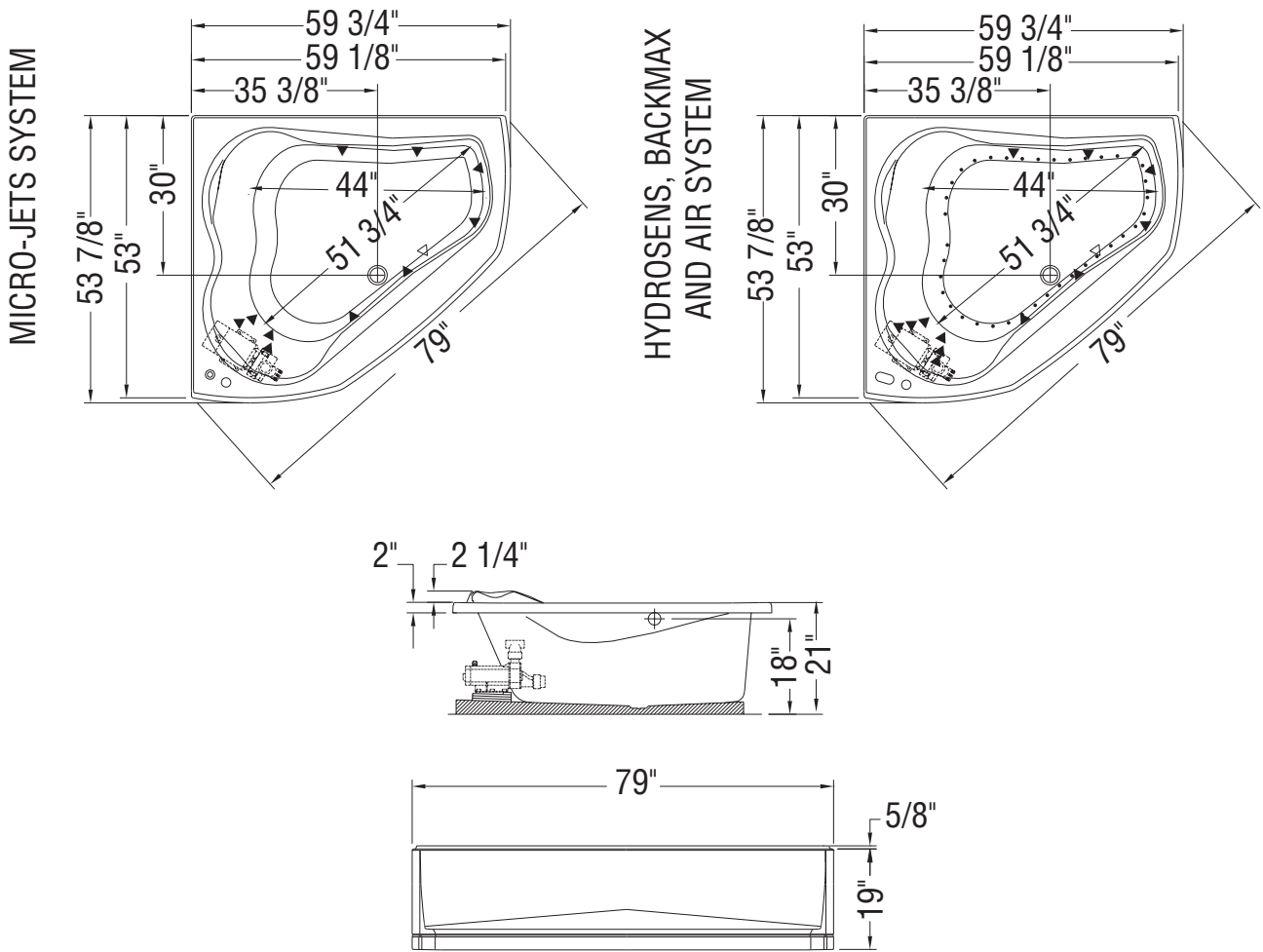
Date : .....

# MAAX SUBMITTAL SPECIFICATIONS

## Cocoon 6054

MODEL NUMBER 102724

### TECHNICAL DRAWINGS



- ( ▲ ): Indicates whirlpool and backjets positioning
- ( △ ): Indicates suction positioning
- ( ● ): Indicates airjets positioning

All dimensions are approximate. Structure measurements must be verified against the unit to ensure proper fit.