

MAAX SUBMITTAL SPECIFICATIONS

Utile Origin back wall 48 in.

MODEL NUMBER 103411-300

DIMENSIONS: 48" x 1 1/8" x 80"



Vivez l'expérience

MAAX®

Enjoy the experience

STANDARD FEATURES

- Realistic looking tile and grout
- Solid, one-piece walls: Sturdy and durable
- Mistake-proof Ulok system makes assembly simple and quick
- Corner or alcove shower and tub shower installation
- 10-year warranty
- 1 corner shelf included

OPTIONS

- Glass shelf
- Glass shelf (10-Pack)

UNIQUE FEATURES

- Ulok system

SYSTEMS

- None

DOOR SELECTION

Combine with MAAX's complete shower door offering visit www.maax.com

Project :

Contractor :

MAAX Representative : Tel :

Date :

CERTIFICATIONS

Maax products adhere to one or more of the following certifications:



www.maax.com

2017-10-06

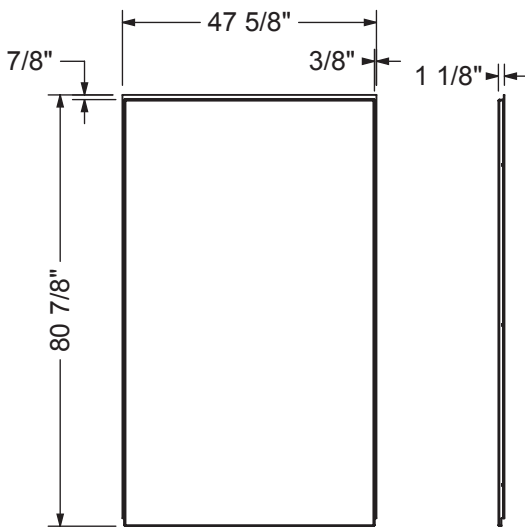
MAAX SUBMITTAL SPECIFICATIONS

Utile Origin back wall 48 in.

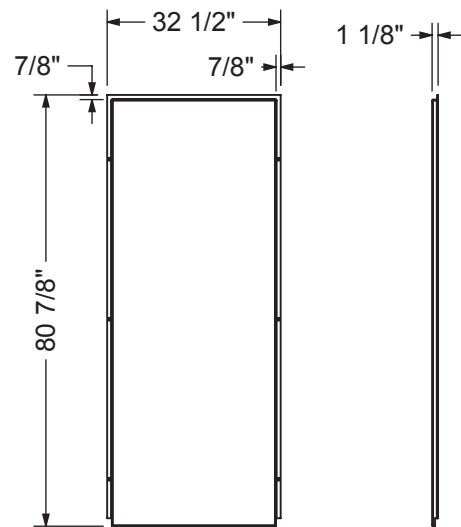
MODEL NUMBER 103411-300

TECHNICAL DRAWINGS

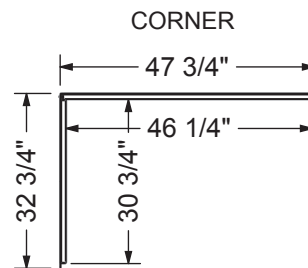
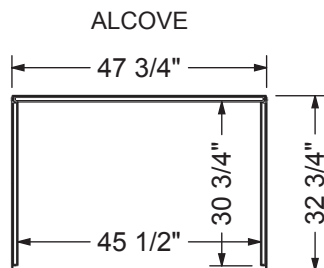
BACK WALL



SIDE WALL



TOP VIEW (ASSEMBLED)



This product is designed to be installed in a building that conforms with the requirements of the National Building Code of Canada 2005

All dimensions are approximate. Structure measurements must be verified against the unit to ensure proper fit.