

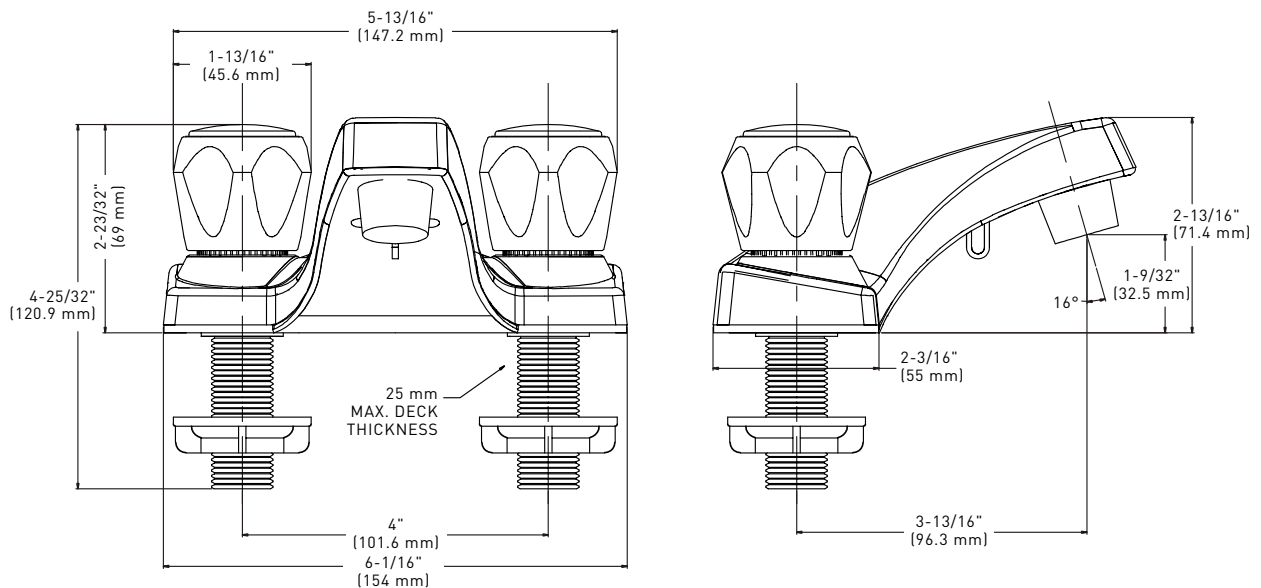
# FUNDAMENTALS

**06-4433**  
BATHROOM FAUCET

**Taymor**



POLISHED CHROME	CASE QTY.
06-4433	6



CRITICAL DIMENSIONS NOT TO SCALE

## FEATURES

- TWO CHROME FINISH HANDLES
- 4" CENTER-SET MOUNT
- WASHERLESS CARTRIDGE
- FACTORY PRESSURE TESTED

## CONSTRUCTION

- RESIN CONSTRUCTION WITH POLISHED CHROME FINISH

## MOUNTING

- DESIGNED TO INSTALL THROUGH 2 HOLES, 29/32" (23mm) MIN. DIA. WITH 4" (102mm) CENTERS, ON DECKS UP TO 1" (25mm)

## INLET

- 1/2"-14 NPSM THREADED MALE INLET SHANKS

## OPERATION

- QUARTER-TURN LEVER STYLE HANDLES
- OPERATES WITH LESS THAN 5 LBS. OF FORCE

## WATER-CONTROL MECHANISM

- CARTRIDGE
- ROTATING CYLINDER TYPE WITH STAINLESS STEEL PLATE AND NON-METALLIC SEATS

## FLOW

- AERATOR LIMITS MAXIMUM FLOW RATE TO 1.5 GPM MAX. (5.7 L/MIN.) @ 60 PSI

## CODES/STANDARDS APPLICABLE

- cUPC
- ASME A112.18.1/ CSA B125.1
- ANSI/NSF 61/9
- LOW LEAD COMPLIANT

## GUARANTEE

- 1 YEAR GUARANTEE AGAINST DEFECTS IN MATERIAL AND WORKMANSHIP TO ORIGINAL CONSUMER PURCHASER

