

## ASTRAL

06-8722 / 06-8722CBLK  
KITCHEN FAUCET

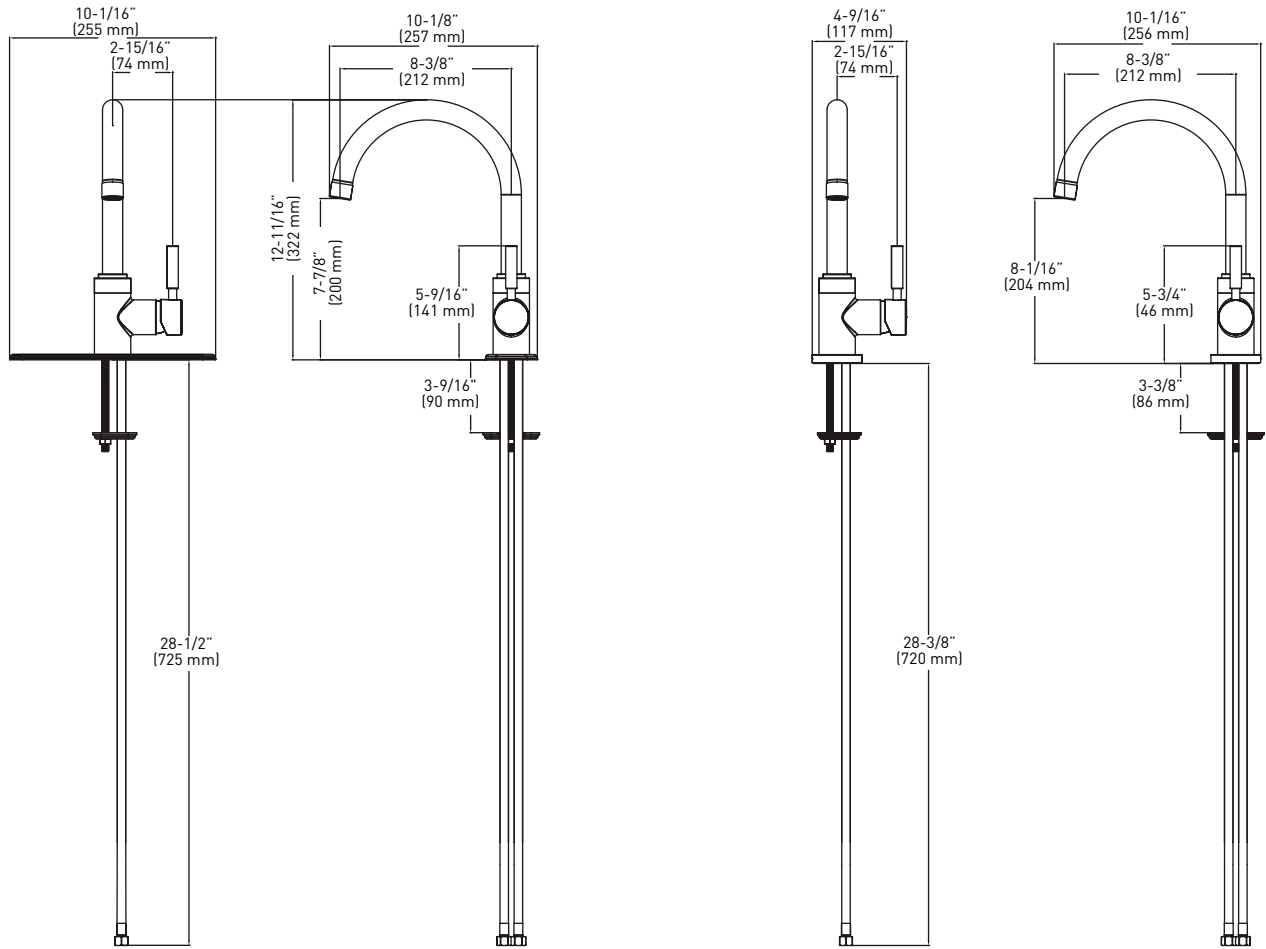


POLISHED CHROME  
WITH OPTIONAL ESCUTHEON

### FEATURES

- SINGLE LEVER WITH HIGH ARC SWIVEL SPOUT
- AVAILABLE IN POLISHED CHROME AND POLISHED CHROME WITH BLACK ACCENT
- SINGLE HOLE MOUNT WITH OPTIONAL ESCUTHEON TO FIT STANDARD 8" THREE HOLE SINK
- CERAMIC CARTRIDGE
- MAXIMUM FLOW RATE: 2.2 GPM/8.3 LPM @ 60 PSI
- SOLID BRASS VALVE BODY
- FACTORY PRESSURE TESTED
  
- cUPC CERTIFIED
- LOW LEAD COMPLIANT

CRITICAL DIMENSIONS NOT TO SCALE



**CONSTRUCTION**

- METAL CONSTRUCTION WITH POLISHED CHROME FINISH
- BRASS VALVE BODY

**MOUNTING**

- DESIGNED TO INSTALL THROUGH 1 HOLE, 1-1/4" (32mm) MIN. DIA. ON DECKS UP TO 1-3/4" (45mm), MIN. 3-1/8" (80mm) FROM VALVE CENTERLINE TO BACK SPLASH
- OPTIONAL ESCUTCHEON INCLUDED TO INSTALL THROUGH 3 HOLES WITH 8" (203mm) CENTERS, ON DECKS UP TO 1-7/8" (47mm)

**INLET**

- 30" BRAIDED FLEXIBLE SUPPLY LINES WITH 3/8" (10mm) COMPRESSION GASKET FITTINGS

**OPERATION**

- PIVOT ACTION LEVER STYLE HANDLE
- OPERATES WITH LESS THAN 5 LBS. OF FORCE

**WATER-CONTROL MECHANISM**

- CARTRIDGE
- ONE-PIECE, SELF-CONTAINED CERAMIC DISC VALVE

**FLOW**

- AERATOR LIMITS MAXIMUM FLOW RATE TO 2.2 GPM MAX. (8.3 L/MIN.) @ 60 PSI

**CODES/STANDARDS APPLICABLE**

- ASME A112.18.1/CSA B125.1
- ANSI/NSF 372
- cUPC CERTIFIED
- LOW LEAD COMPLIANT

**GUARANTEE**

- LIMITED LIFETIME GUARANTEE AGAINST DEFECTS IN MATERIAL AND WORKMANSHIP TO ORIGINAL CONSUMER PURCHASER
- 5 YEAR WARRANTY IF USED IN INDUSTRIAL, COMMERCIAL AND BUSINESS INSTALLATIONS



DESCRIPTION	POLISHED CHROME	POLISHED CHROME WITH BLACK ACCENT	CASE QTY.
SINGLE LEVER KITCHEN FAUCET WITH SWIVEL SPOUT	06-8722	06-8722CBLK	6

