

INFINITY
06-8830
KITCHEN FAUCET

Taymor



FEATURES

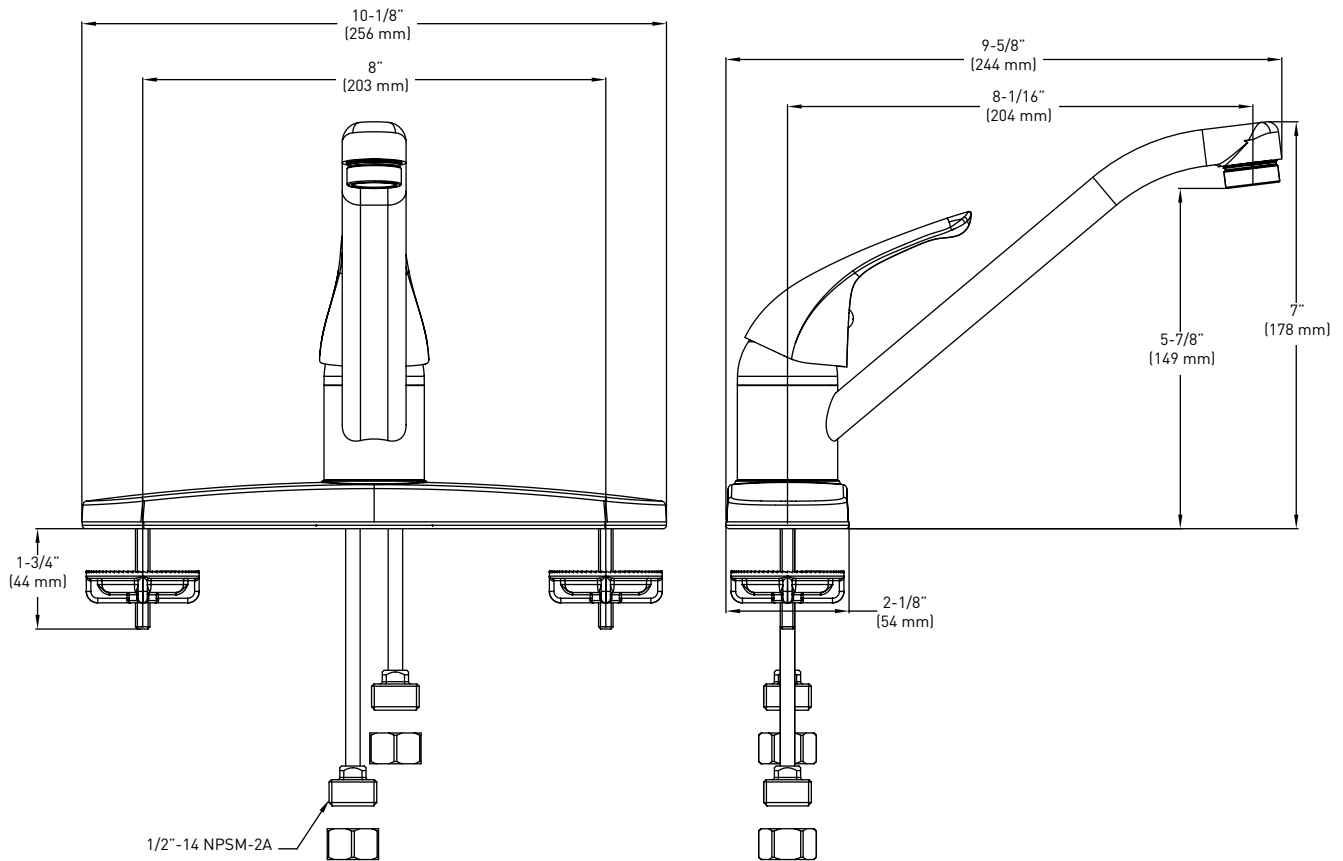
- SINGLE LEVER HANDLE
- AVAILABLE IN POLISHED CHROME
- FITS STANDARD 8" THREE HOLE SINK
- STAINLESS STEEL BALL VALVE
- MAXIMUM FLOW RATE: 2.2 GPM/8.3 LPM @ 60 PSI
- SOLID BRASS & COPPER WATERWAYS
- FACTORY PRESSURE TESTED

- cUPC CERTIFIED
- LOW LEAD COMPLIANT



INFINITY

06-8830
KITCHEN FAUCET



CRITICAL DIMENSIONS NOT TO SCALE

CONSTRUCTION

- METAL CONSTRUCTION WITH POLISHED CHROME FINISH
- HYBRID VALVE BODY

MOUNTING

- DESIGNED TO INSTALL THROUGH 3 HOLES, 1-3/16" (30mm) MIN. DIA. WITH 8" (203mm) CENTERS, ON DECKS UP TO 1-1/8" (29mm)

INLET

- 1/2" COPPER/MIP WITH 1/2"-14 NPSM ADAPTERS

OPERATION

- PIVOT ACTION LEVER STYLE HANDLE
- OPERATES WITH LESS THAN 5 LBS. OF FORCE

WATER-CONTROL MECHANISM

- ROTATING STAINLESS STEEL BALL TYPE WITH NON-METALLIC SEATS

FLOW

- AERATOR LIMITS MAXIMUM FLOW RATE TO 2.2 GPM MAX. (8.3 L/MIN.) @ 60 PSI


CODES/STANDARDS APPLICABLE

- cUPC
- ASME A112.18.1
- ANSI/NSF 61/9
- LOW LEAD COMPLIANT

GUARANTEE

- LIMITED LIFETIME GUARANTEE AGAINST DEFECTS IN MATERIAL AND WORKMANSHIP TO ORIGINAL CONSUMER PURCHASER
- 5 YEAR WARRANTY IF USED IN INDUSTRIAL, COMMERCIAL AND BUSINESS INSTALLATIONS



	DESCRIPTION	POLISHED CHROME	CASE QTY.
	SINGLE LEVER HANDLE KITCHEN FAUCET	06-8830	6