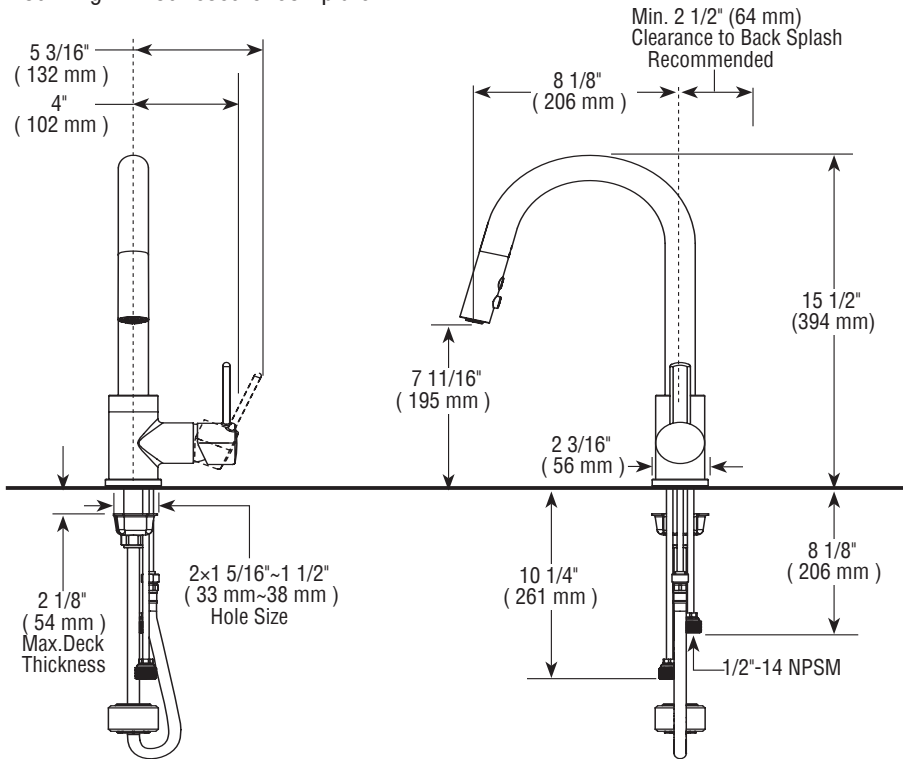
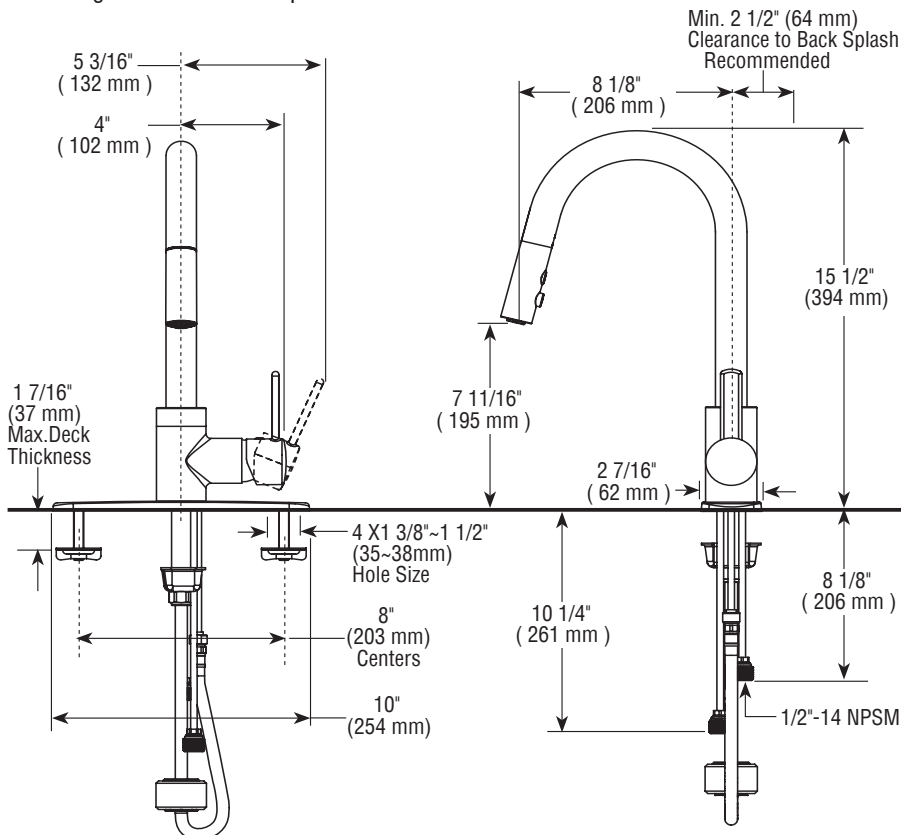


# PEERLESS®

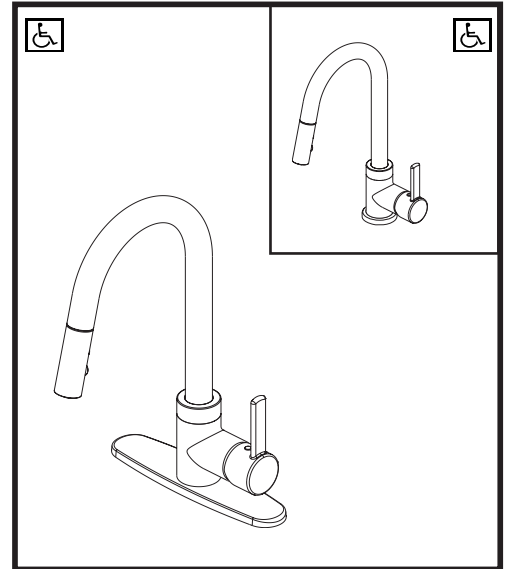
Mounting without escutcheon plate:



Mounting with escutcheon plate:



P188152LF



## KITCHEN FAUCET:

■ Single Handle Pull-Down

### STANDARD SPECIFICATIONS:

- Max. flow rate 1.80 gpm @ 60 psi, 6.80 L/min @ 414kPa
- One or three home mount (escutcheon optional, included)
- Spout rotates 360°
- Pull-down wand operates in an aerated or spray mode via a toggle diverter with 24" (610 mm) hose
- 1/2"-14 NPSM threaded male inlet adapters
- Lever handle with ceramic cartridge

### WARRANTY:

- Lifetime limited warranty on parts (other than electronic parts and batteries) and finishes; or, for commercial users, for 5 years from the date of purchase.
- 5 year limited warranty on electronic parts (other than batteries); or for commercial users, for 1 year from the date of purchase. No warranty is provided on batteries.

### COMPLIES WITH:

- ASME A112.18.1 / CSA B125.1



Indicates compliance to ICC/ANSI A117.1

- Verified compliant with 0.25% weighted average Pb content regulations.