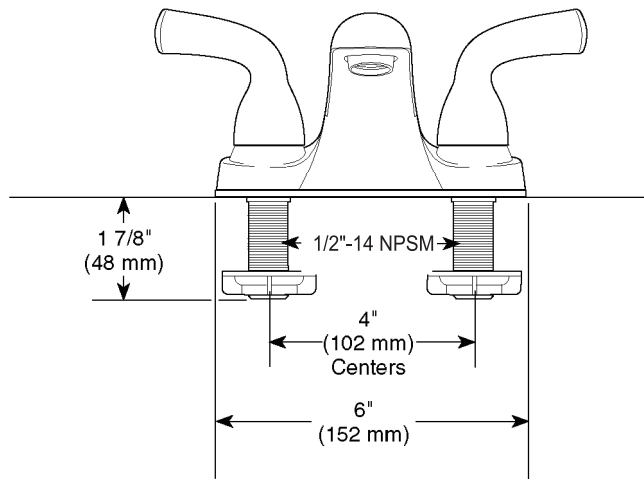


LAVATORY FAUCET

- Two handle, lever, centerset lavatory faucet, with plastic pop-up drain assembly.

STANDARD SPECIFICATIONS

- Two handle lavatory faucets for exposed mounting on 3 hole sinks with 4" centers.
- The fully replaceable, washerless valve design rotates from the full-off position to the full-on position in 90°.
- The valve stems on the hot and cold stems are interchangeable.
- 1/2" - 14 NPSM threaded male inlet shanks.
- Max Flow Rate 1.5 gpm @ 60 PSI (5.7 L/Min @ 414 Kpa)



WARRANTY

- Lifetime Faucet and Finish Limited Warranty to the Original consumer purchaser to be free from defects in material and workmanship.
- 5 Year Limited Warranty for usage in all Industrial, Commercial and business applications.



COMPLIES WITH

- ASME A112.18.1/CSA B125.1
 - ASME A112.18.2/CSA B125.2
 - Indicates compliance to ICC/ANSI A117.1
 - EPA Water Sense
- Verified to <0.25% Pb average wetted surface regulations.

