



Buy it for looks. Buy it for life.®

**DESCRIPTION**

- Chrome plated metal construction
- Pressure balancing cycle valve design with an adjustable temperature limit stop
- 1/2" IPS/CC connections
- Includes valve, tub spout, showerhead, arm and flange
- Lever and optional knob handle included

**OPERATION**

- Lever style handle
- Handle operates counterclockwise through a 270° arc with off at 6 o'clock and maximum hot at the 9 o'clock position. Shut off in clockwise direction
- Adjustable temperature limit stop to control maximum hot water temperature
- Pressure balancing mechanism maintains selected discharge temperature to ± 2°

**FLOW**

- Showerhead is limited to 2.5 gpm (9.5 L/min) for models prior to 10/2013
- EP suffix models and models after 10/2013, showerheads limited to 2.0 gpm (7.6 L/min) maximum, and 1.5 gpm (5.7 L/min) minimum at 45 psi

**CARTRIDGE**

- 1222 cartridge design
- Nonmetallic/nonferrous and stainless steel materials
- Accommodates back to back installations

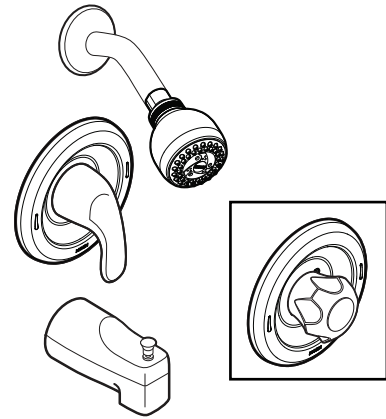
**STANDARDS**

- Third party certified to meet ASME A112.18.1/CSA B-125.1 and all applicable requirements referenced therein
- **ADA** for lever handle
- Meets Watersense criteria for EP suffix models and models after 10/2013
- Meets New York City Law No. 57 for EP suffix models and models after 10/2013

**WARRANTY**

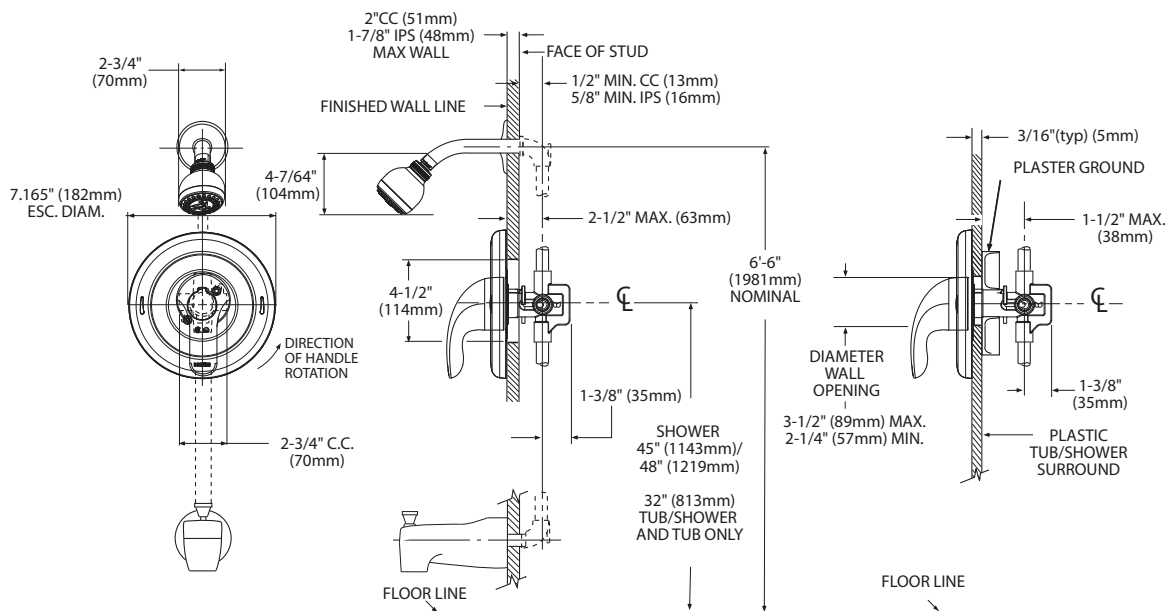
- Lifetime limited warranty against leaks, drips and finish defects to the original consumer purchaser
- 5 year warranty if used in commercial installations

# Specifications



**POSI-TEMP®  
Single-Handle  
Tub/Shower Valve**

**Models:** L82691, L82694, L82839



**CRITICAL DIMENSIONS**

(DO NOT SCALE)