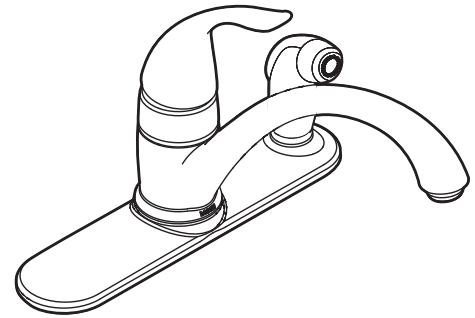




Buy it for looks. Buy it for life.®

# Specifications



## Single Handle Lever Kitchen Faucet with Protégé Side Spray in Deck Escutcheon

Models: CA87484 series

**NOTE:** THIS FAUCET IS DESIGNED TO BE INSTALLED THROUGH 3 HOLES 1-1/4" (32mm) MIN. DIA. Also has single hole mount capability.

### FAUCET DESCRIPTION

- Metal construction with various finishes identified by suffix
- 1/2" IPS connections
- Includes Protégé side spray with Hydrolock® quick connect system

### OPERATION

- Lever style handle
- Temperature controlled by 180° arc of handle travel
- Operates with less than 5 lbs. of force

### FLOW

- Aerator is limited to 2.0 gpm max (7.6 L/min)

### CARTRIDGE

- 1225 cartridge design
- Nonmetallic/nonferrous and stainless steel material

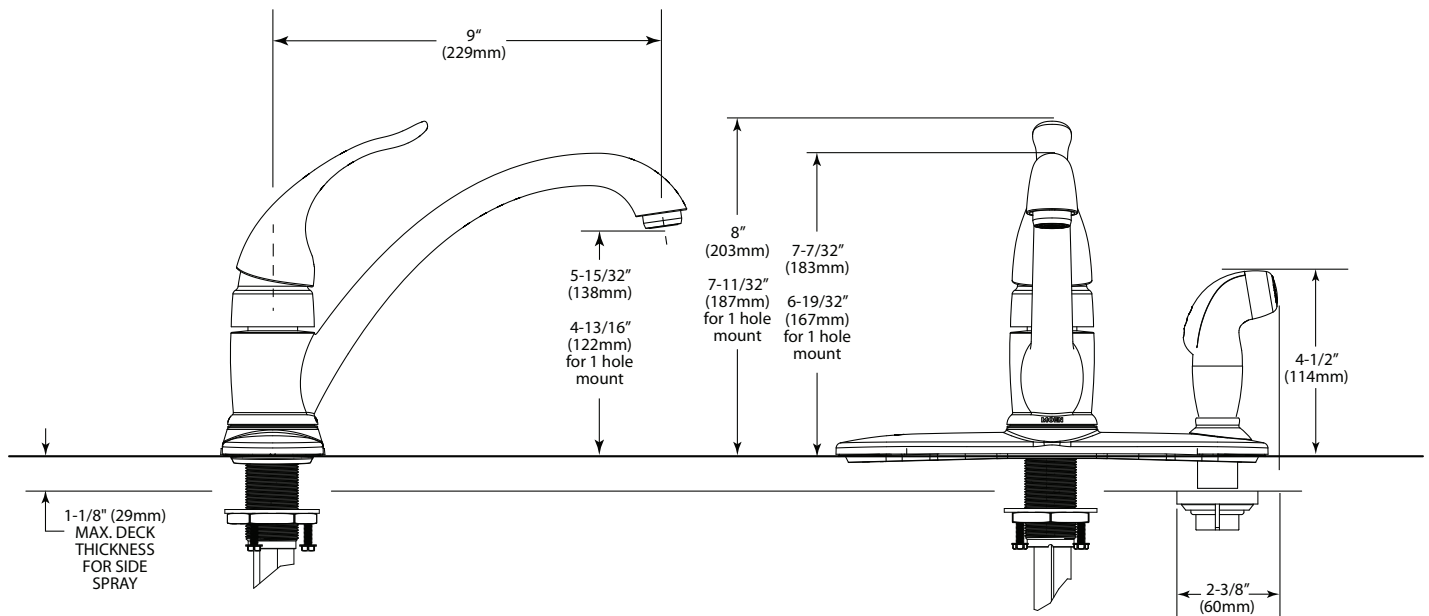
### STANDARDS

- Third party certified to ASME A112.18.1/CSA B-125.1 and all applicable requirements referenced therein including NSF 61/9
- Meets Georgia SB370 requirements
- Contains no more than 0.25% weighted average lead content
- Complies with California Proposition 65 and with the Federal Safe Drinking Water Act

- **ADA**  for lever handle

### WARRANTY

- Lifetime limited warranty against leaks, drips and finish defects to the original consumer purchaser
- 5 year warranty if used in commercial installations



## CRITICAL DIMENSIONS

(DO NOT SCALE)

FOR MORE INFORMATION CALL: 1-800-BUY-MOEN

[www.moen.com](http://www.moen.com)

Rev. 2/12

Hydrolock® is a registered trademark of COOPER STANDARD AUTOMOTIVE INC.