



# HANDSHOWER

- 9-Spray Setting Handshower
- Touch-Clean® nozzles
- Push Button Selection
- Arm Mount Handshower

## STANDARD SPECIFICATIONS:

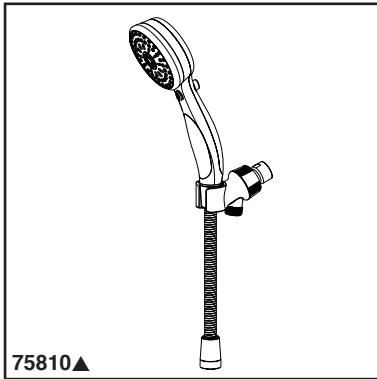
- Maximum 2.50 gpm @ 80 psi, 9.5 L/min @ 550 kPa
- Hand held shower with eight spray patterns and pause feature- not a positive shut-off
- Simple one-Handed control with touch-Activated Technology
- 3 buttons create 8 unique sprays
- Pause button operates from front or back
- Soft touch non-slip grip
- 72" (1829mm) Reinforced vinyl hose

## WARRANTY

- Lifetime limited warranty on parts (other than electronic parts and batteries) and finishes: or, for commercial users, for 5 years from date of purchase.
- 5 year limited warranty on electronic parts (other than batteries); or, for commercial users, for 1 year from the date of purchase. No warranty is provided on batteries.

## COMPLIES WITH

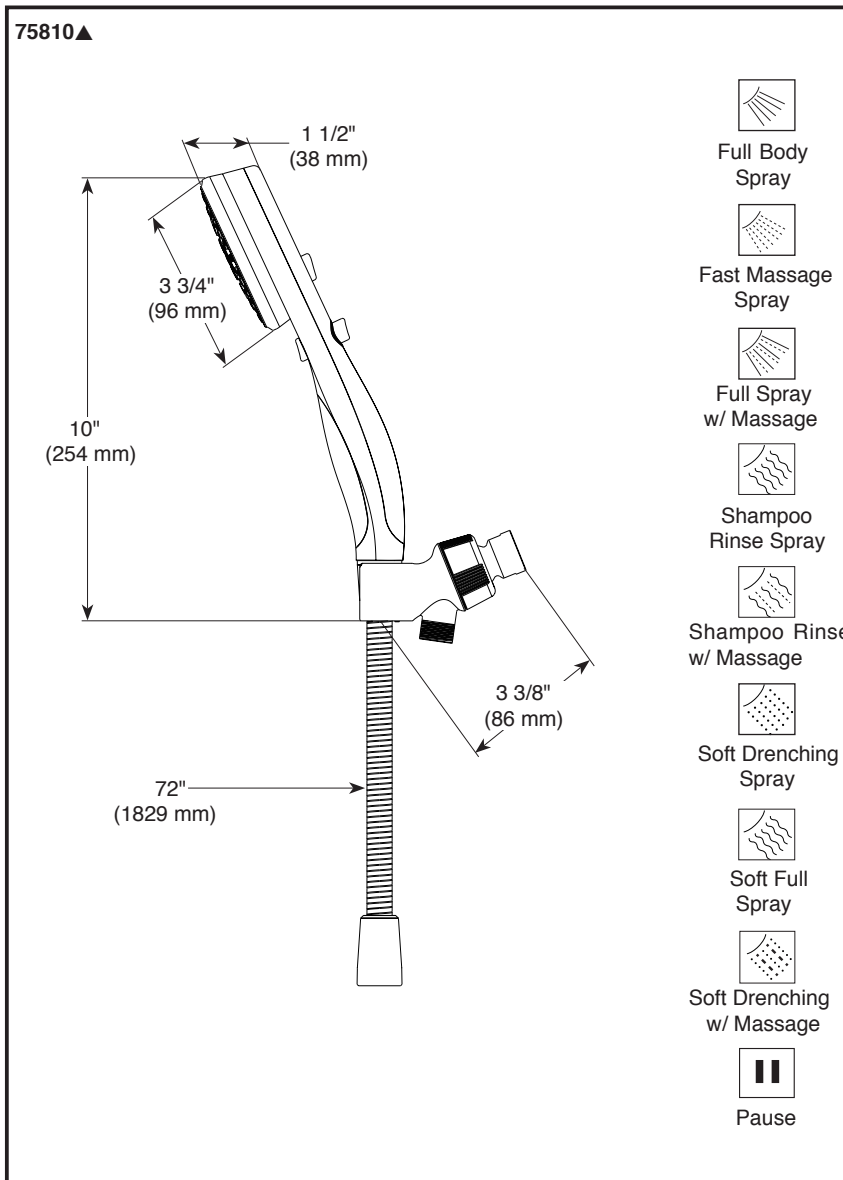
- ASME A112.18.1 / CSA B125.1



75810▲

Submitted Model No.: \_\_\_\_\_

Specific Features: \_\_\_\_\_



▲ Designate proper finish suffix

Delta reserves the right (1) to make changes in specifications and materials, and (2) to change or discontinue models, both without notice or obligation. Dimensions are for reference only. See current full-line price book or [www.deltafaucet.com](http://www.deltafaucet.com) for finish options and product availability.

