

MAAX SUBMITTAL SPECIFICATIONS

B3Square 6032 Left

MODEL NUMBER 420005-502

DIMENSIONS: 60" x 32" x 3"



Project :

Contractor :

MAAX Representative : Tel :

Date :

www.maax.com

Vivez l'expérience
MAAX[®]
Enjoy the experience

STANDARD FEATURES

- Acrylic rectangular shower base with left square drain
- Smooth floor
- Left corner installation
- 3" threshold base
- **B3Square only:** Square stainless steel grid & ABS drain included (optional PVC drain for high rise construction also available)

OPTIONS

- PVC drain
- PVC drain (Acc.)

UNIQUE FEATURES

- None

SYSTEMS

- None

DOOR SELECTION

Combine with MAAX's complete shower door offering visit www.maax.com

CERTIFICATIONS

Maax products adhere to one or more of the following certifications:



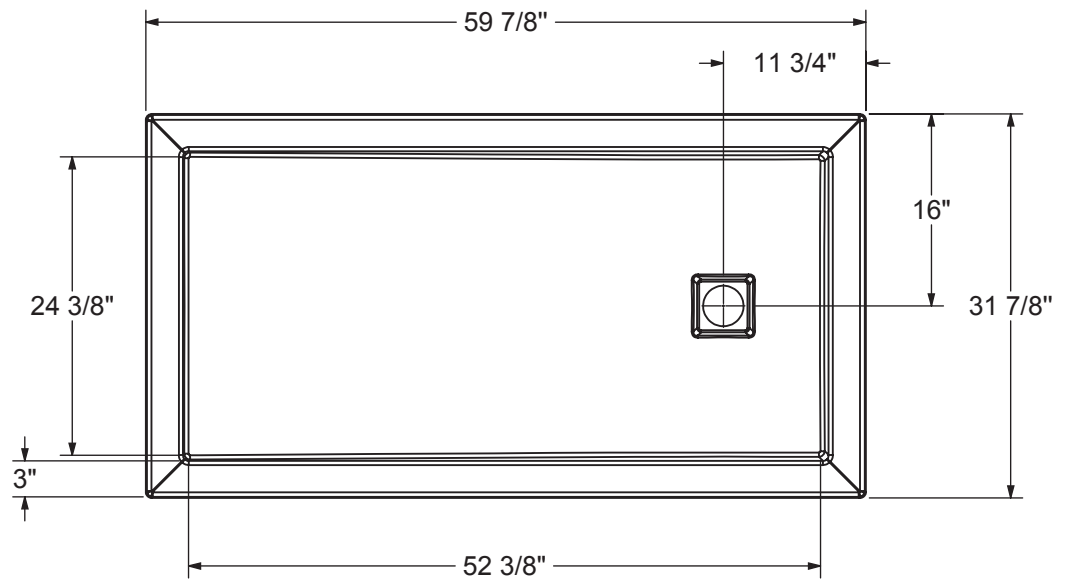
2017-10-27

MAAX SUBMITTAL SPECIFICATIONS

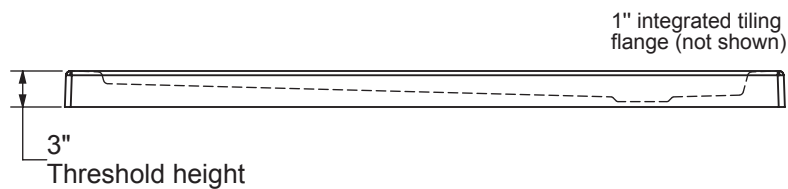
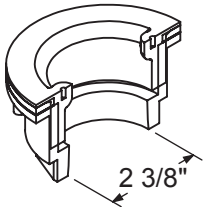
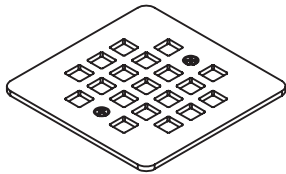
B3Square 6032 Left

MODEL NUMBER 420005-502

TECHNICAL DRAWINGS



DRAIN INCLUDED
ON B3 SQUARE ONLY



This technical drawing is universal for every 6032 configuration.

Integrated tiling flange : 1" height x 1/4" thick (not shown)
Tiling flange position is determined by chosen configuration.

All dimensions are approximate. Structure measurements must be verified against the unit to ensure proper fit.