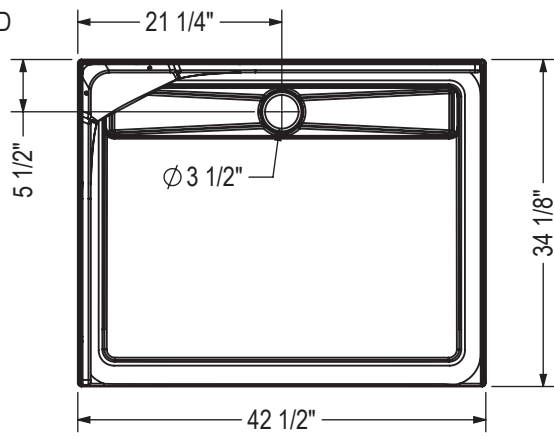
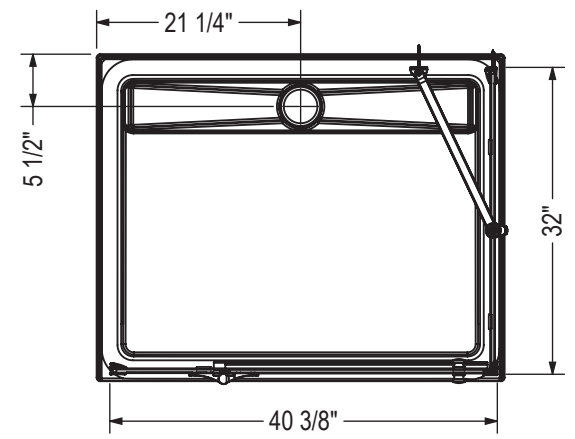


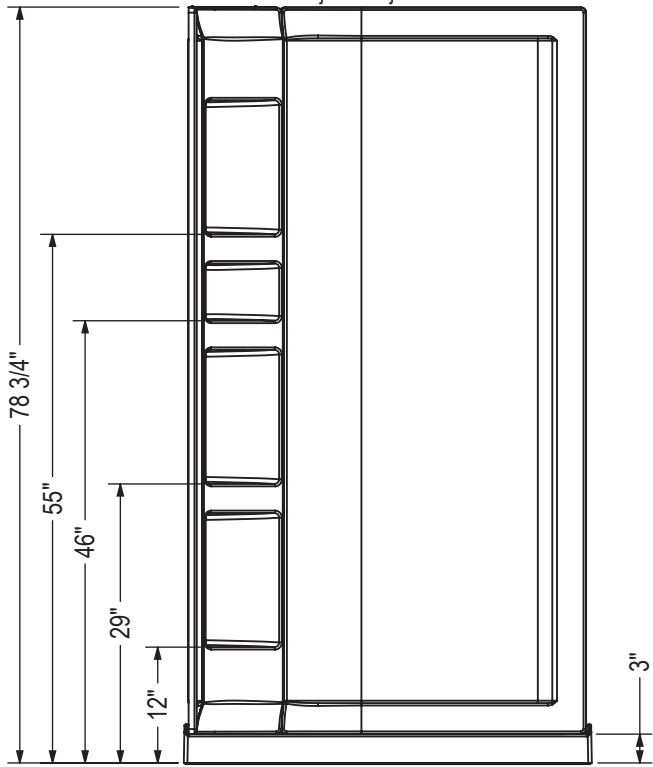
STANDARD



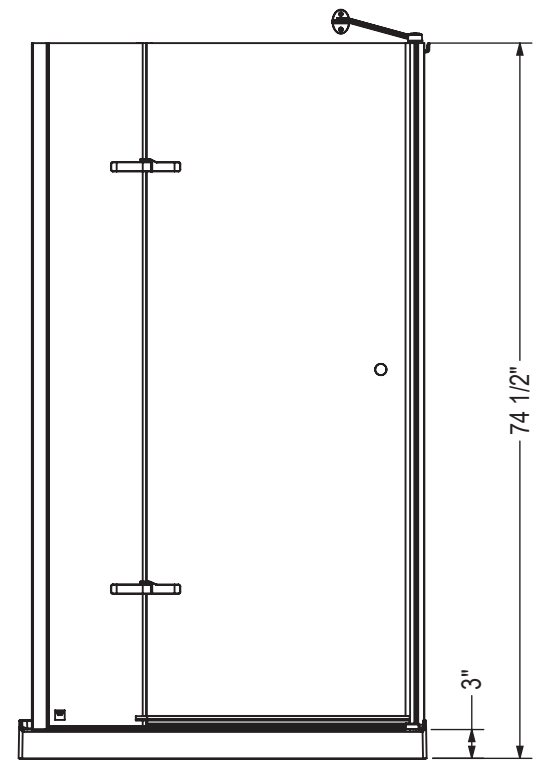
- Door opening : 27 5/8"
 - Wall jamb adjustment : 3/4"



- Door opening : 27 5/8"
 - Wall jamb adjustment : 3/4"



ACRYLIC WALLS - WITHOUT DOOR



NO ACRYLIC WALLS - WITH DOOR

All dimensions are approximate. Structure measurements must be verified against the unit to ensure proper fit.