

# MAAX SUBMITTAL SPECIFICATIONS

## Cyrene Clear

**MODEL NUMBER 300001**

DIMENSIONS: 34" x 34" x 76" Acrylic



Vivez l'expérience

# MAAX®

Enjoy the experience

### STANDARD FEATURES

- 34 in x 34 in wall width round base
- Low 3" threshold allowing an easy & safe access
- Smooth and silent roller system
- 5mm Mistelite tempered glass provides more privacy
- Shower kit also available in Clear glass
- Sliding door left or right opening

### OPTIONS

- None

### UNIQUE FEATURES

- None

### SYSTEMS

- None

### DOOR SELECTION

Combine with MAAX's complete shower door offering visit [www.maax.com](http://www.maax.com)

### CERTIFICATIONS

Maax products adhere to one or more of the following certifications:



Project : .....

Contractor : .....

MAAX Representative : ..... Tel : .....

Date : .....

[www.maax.com](http://www.maax.com)

2017-10-24

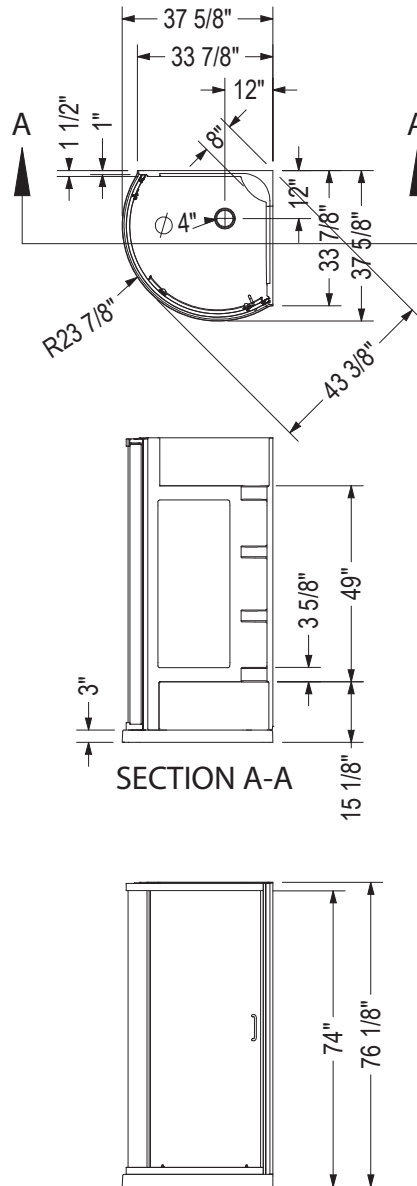
# MAAX SUBMITTAL SPECIFICATIONS

## Cyrene Clear

MODEL NUMBER 300001

### TECHNICAL DRAWINGS

STANDARD



All dimensions are approximate. Structure measurements must be verified against the unit to ensure proper fit.