

Vivez l'expérience

**MAAX**<sup>®</sup>

Enjoy the experience

# MAAX SUBMITTAL SPECIFICATIONS

## 32" Mediterranean™ III

**MODEL NUMBER 105605**

DIMENSIONS: 32" x 32" x 74" Polystyrene



### STANDARD FEATURES

- 3-piece polystyrene wall with 4 built-in shelves
- Textured base
- Sliding door, central opening, Mistelite glass pattern

### OPTIONS

- None

### UNIQUE FEATURES

- None

### SYSTEMS

- None

### DOOR SELECTION

Combine with MAAX's complete shower door offering visit [www.maax.com](http://www.maax.com)

Project : .....

Contractor : .....

MAAX Representative : ..... Tel : .....

Date : .....

### CERTIFICATIONS

Maax products adhere to one or more of the following certifications:



[www.maax.com](http://www.maax.com)

2017-10-24

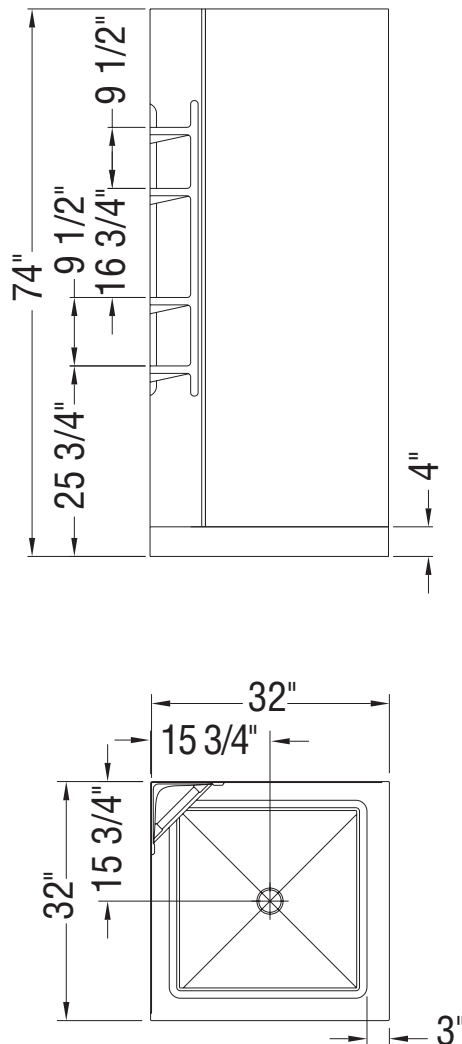
## MAAX SUBMITTAL SPECIFICATIONS

# 32" Mediterranean™ III

MODEL NUMBER 105605

## TECHNICAL DRAWINGS

---



All dimensions are approximate. Structure measurements must be verified against the unit to ensure proper fit.