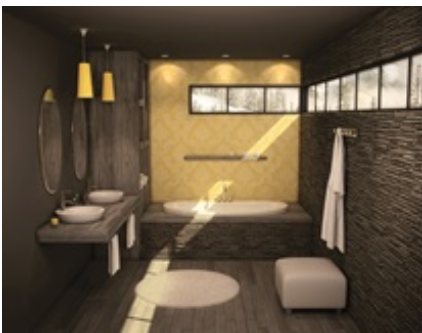


MAAX SUBMITTAL SPECIFICATIONS

Reverie (Drop-In)

MODEL NUMBER 105462

DIMENSIONS: 66" x 36" x 24" Acrylic



Vivez l'expérience
MAAX[®]
Enjoy the experience

STANDARD FEATURES

- Spacious interior
- 3 in. Above the Floor Rough (AFR) included
- Smooth bottom
- Center drain
- Drop-in installation
- Cut-out template available

OPTIONS

- One chromatherapy light
- Metal trim kit for Air Push Control
- Thermax field-installed whirlpool heater
- Hydrosens trim kit
- Thermax field-installed whirlpool heater
- Flexible main hose for Aerosens blower

UNIQUE FEATURES

- Above-the-Floor Rough (AFR)

SYSTEMS

- Hydrosens Aerosens **DOOR**
- Combined Aerosens/Hydrosens

SELECTION

Combine with MAAX's complete shower door offering visit www.maax.com

CERTIFICATIONS

Maax products adhere to one or more of the following certifications:



Project :

Contractor :

MAAX Representative : Tel :

Date :

www.maax.com

2017-10-27

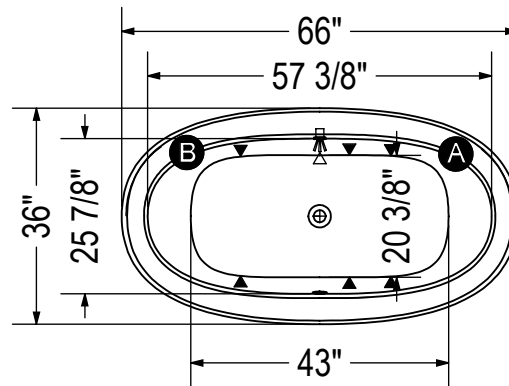
MAAX SUBMITTAL SPECIFICATIONS

Reverie (Drop-In)

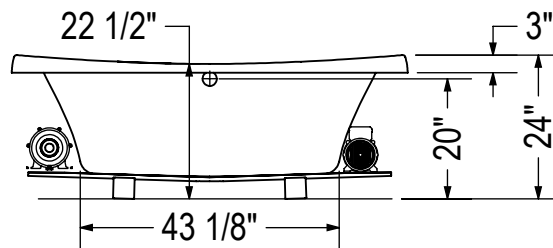
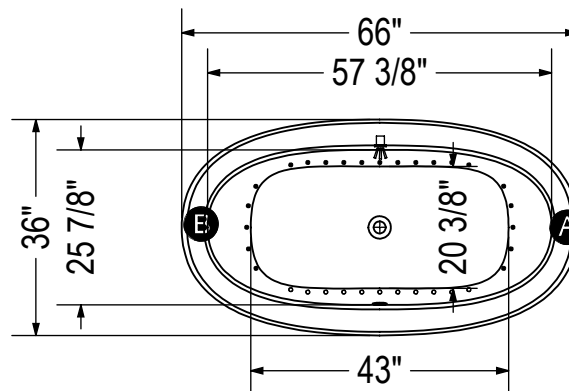
MODEL NUMBER 105462

TECHNICAL DRAWINGS

HYDROSENS SYSTEM



AIR SYSTEM



(A, B) : Specify blower and/or pump location when ordering

- (▲) : Indicates whirlpool jets positioning
- (△) : Indicates suction positioning
- (●) : Indicates airjets positioning
- (☼) : Indicates chromatherapy light positioning

All dimensions are approximate. Structure measurements must be verified against the unit to ensure proper fit.