

# MAAX SUBMITTAL SPECIFICATIONS

## Equinox I

MODEL NUMBER 102495

DIMENSIONS: 37" x 37" x 78" Acrylic



Vivez l'expérience  
**MAAX**<sup>®</sup>  
Enjoy the experience

### STANDARD FEATURES

- 1-piece shower
- 3 built-in shelves
- Footrest
- Optional roof cap

### OPTIONS

- Roofcap
- Recessed light
- PVC quick caulking shower drain with Chrome or Brushed Nickel grid
- ABS shower drain with Chrome stainless steel grid
- ABS shower drain with ABS grid

### UNIQUE FEATURES

- None

### SYSTEMS

- None

### DOOR SELECTION

Combine with MAAX's complete shower door offering visit [www.maax.com](http://www.maax.com)

### CERTIFICATIONS

Maax products adhere to one or more of the following certifications:



Project : .....  
Contractor : .....  
MAAX Representative : ..... Tel : .....  
Date : .....

[www.maax.com](http://www.maax.com)

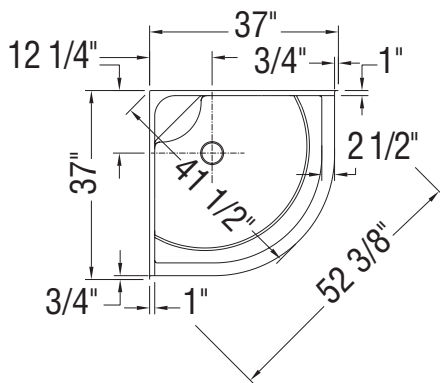
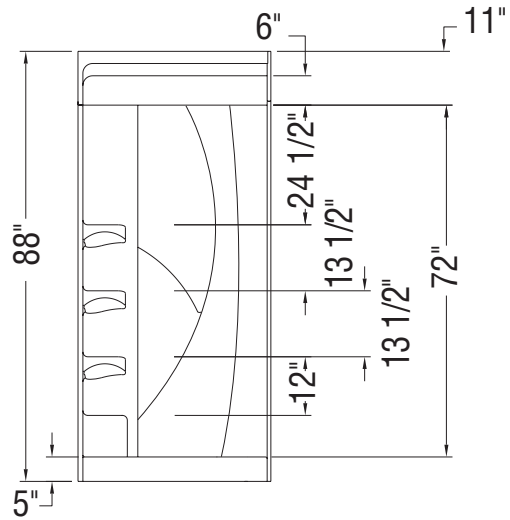
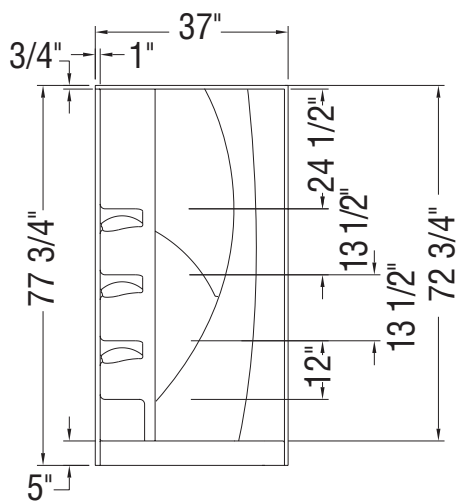
2017-10-24

# MAAX SUBMITTAL SPECIFICATIONS

## Equinox I

MODEL NUMBER 102495

### TECHNICAL DRAWINGS



All dimensions are approximate. Structure measurements must be verified against the unit to ensure proper fit.