

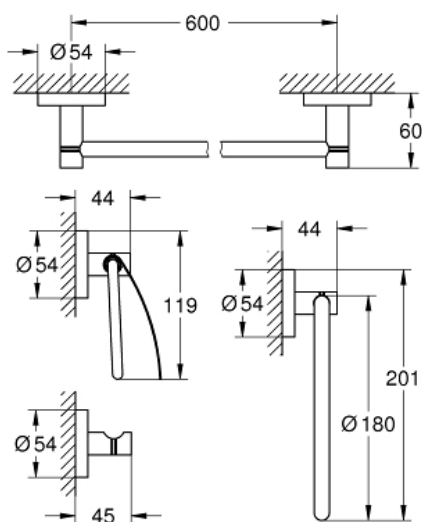
# ESSENTIALS

MODEL # 40776001

Pure Freude  
an Wasser

**GROHE**

GROHE CANADA, INC. | 5900 Avebury Road, Mississauga, Ontario, Canada L5R 3M3  
Phone: 905-271-2929 | Fax: 905-271-9494 | info@grohe.ca



## Product Description:

### Standard Specification:

- Material: Metal
- Consisting of:
  - Towel ring (40 365 001)
  - Robe hook (40 364 001)
  - Toilet paper holder with cover (40 367 001)
  - 24" towel rail (40 366 001)
- Concealed fastening
- **GROHE StarLight** chrome finish

### Color:

- 40776001 StarLight Chrome