

# CONCETTO

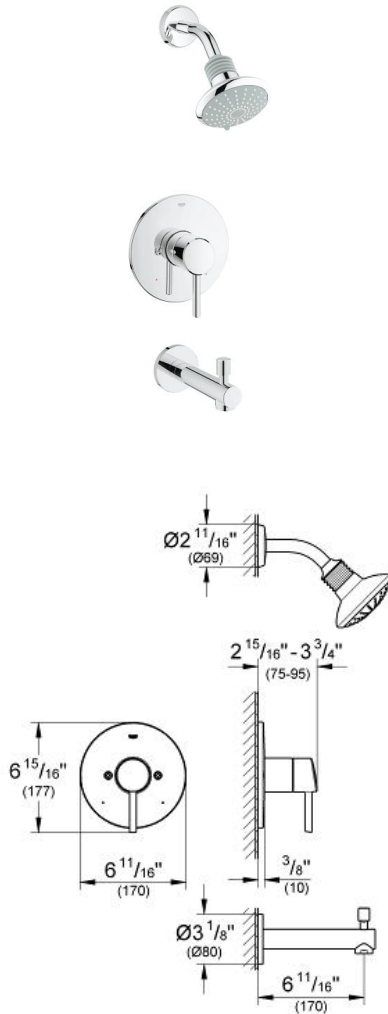
## Pressure Balance Valve Bathtub/ Shower Combo Faucet

MODEL # 35009001

GROHE CANADA, INC. | 5900 Avebury Road, Mississauga, Ontario, Canada L5R 3M3  
Phone: 905-271-2929 | Fax: 905-271-9494 | info@grohe.ca

Pure Freude  
an Wasser

GROHE



### ADA

#### Product Description:

Pressure Balance Valve Bathtub/Shower Combo Faucet

#### Standard Specification:

- Consisting of:
- Final installation set for:
- For use with Grohsafe Rough-In Valve (35 016 000)
- Head shower (27 545 000)
- 5 5/8" Tubular shower arm (27 414)
- **GROHE StarLight** chrome finish
- For use with Grohsafe Rough-In Valve (35 015)

#### Applicable Codes & Standards:

- Energy Policy Act of 1992
- ASME A112.18.1/CSA B125.1
- ICC/ANSI A117.1

#### Color:

- 35009001 StarLight Chrome