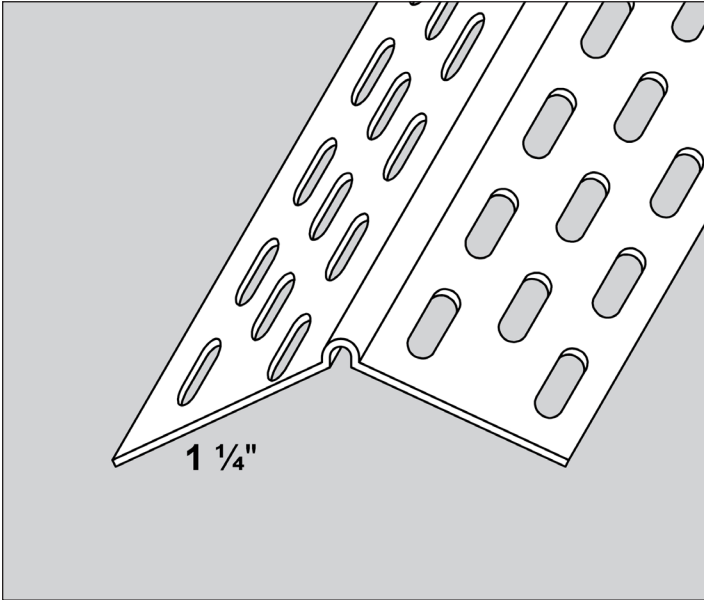


# TRIM-TEX DRYWALL PRODUCTS

# SUBMITTAL SHEET

## Splayed Corner Bead

STOCK #	NAME	PCS/BOX
4208	SPLAYED CORNER 8'	70
4209	SPLAYED CORNER 9'	70
4210	SPLAYED CORNER 10'	70



**Description:** Trim-Tex Splayed Corner Bead is designed to finish outside drywall corners from 120°-140°.

**Advantages:** Made from rust proof, dent resistant PVC to reduce jobsite and handling damage. Does not contain cellulose, a potential food source for mold

**Limitations:** Product is designed for interior use.

**Applicable Standards:** Rigid PVC products made by Trim-Tex meet ASTM specifications D3678, D1784, C1047 and achieve a Class A rating for flame spread and smoke developed when tested under ASTM E84.

**Surface Characteristics:** Trim-Tex products are made from PVC. PVC does not support combustion and is self extinguishing when the source of flame or heat is removed.

**Installation:** Trim-Tex recommends following established acceptable industry standard installation methods. Detailed installation instructions can be found at [www.trim-tex.com](http://www.trim-tex.com).

**Finishing:** Always use a high quality paint.

**Accessories:** 847 Spray Adhesive and Safety Products distributed by Trim-Tex.

Job Name \_\_\_\_\_

Contractor \_\_\_\_\_

Date \_\_\_\_\_

Approvals (Signatures or Stamps)