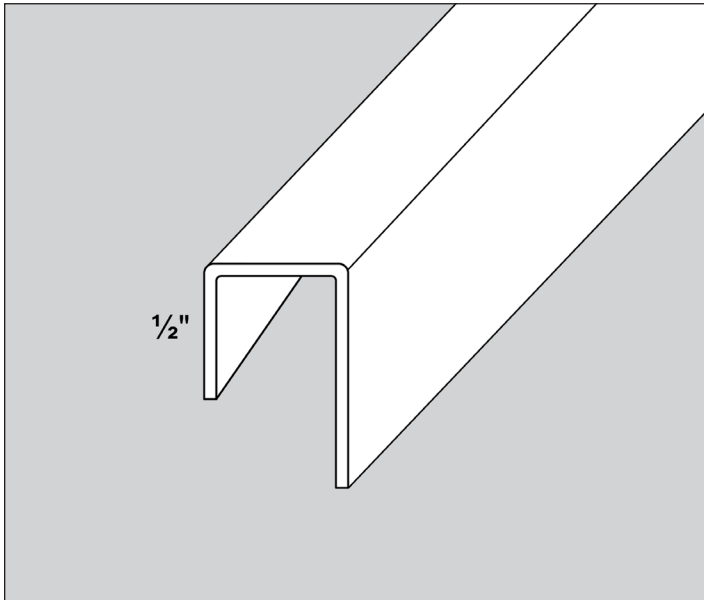


# TRIM-TEX DRYWALL PRODUCTS

# SUBMITTAL SHEET



## J Bead

STOCK #	NAME	PCS/BOX
1010	3/8" J BEAD 10'	50
1108	1/2" J BEAD 8'	50
1110	1/2" J BEAD 10'	50
1112	1/2" J BEAD 12'	50
1208	5/8" J BEAD 8'	50
1210	5/8" J BEAD 10'	50
1212	5/8" J BEAD 12'	50
2010	1/4" J BEAD 10'	50
2410	3/4" J BEAD 10'	50
2510	7/8" J BEAD 10'	35
2610	1" J BEAD 10'	35

**Description:** Trim-Tex J Bead is designed to finish rough drywall ends and under all door and window encasements.

**Advantages:** Made from rust proof, dent resistant PVC to reduce jobsite and handling damage. Does not contain cellulose, a potential food source for mold

**Limitations:** Product is designed for interior use.

**Applicable Standards:** Rigid PVC products made by Trim-Tex meet ASTM specifications D3678, D1784, C1047 and achieve a Class A rating for flame spread and smoke developed when tested under ASTM E84.

**Surface Characteristics:** Trim-Tex products are made from PVC. PVC does not support combustion and is self extinguishing when the source of flame or heat is removed.

**Installation:** Trim-Tex recommends following established acceptable industry standard installation methods. Detailed installation instructions can be found at [www.trim-tex.com](http://www.trim-tex.com).

**Finishing:** Always use a high quality paint.

**Accessories:** Safety Products distributed by Trim-Tex.

Job Name \_\_\_\_\_

Contractor \_\_\_\_\_

Date \_\_\_\_\_

Approvals (Signatures or Stamps)