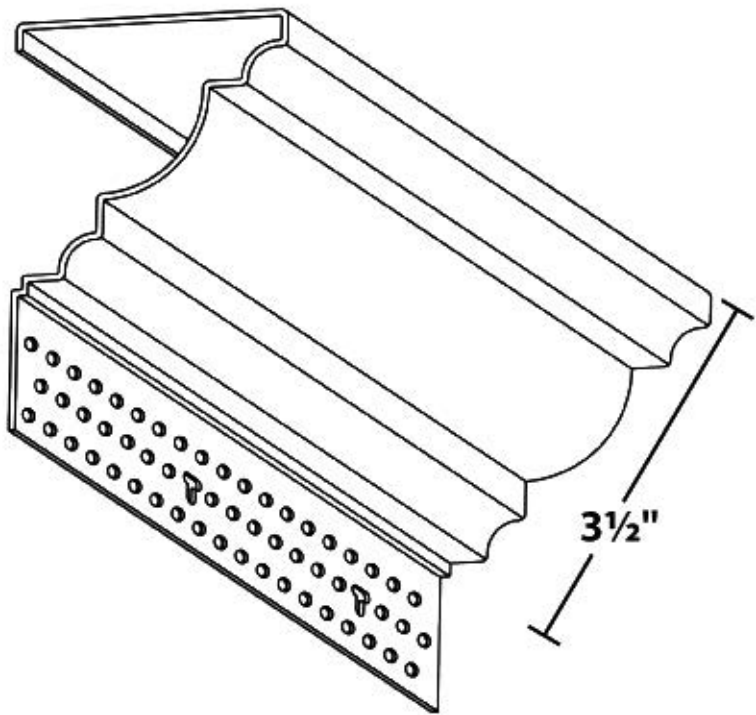


$\frac{7}{8}$ "



$3\frac{1}{2}$ "