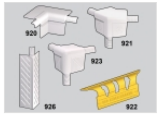
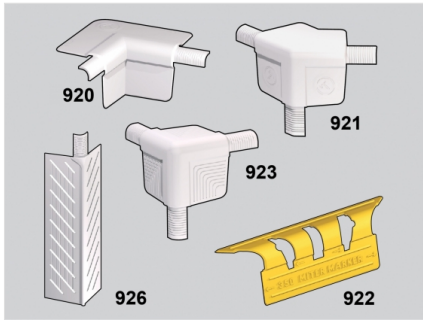


TRIM-TEX

DRYWALL PRODUCTS



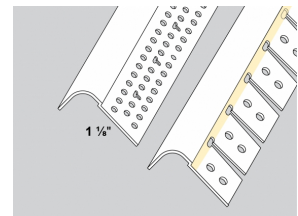
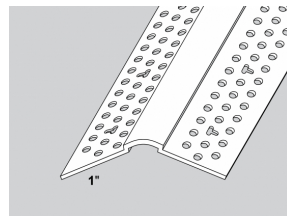
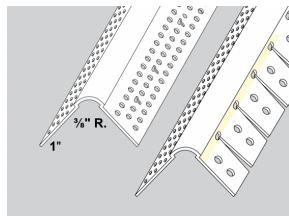
350 Bull Molded Corners & Accessories

Finish corners where multiple beads meet quickly with a molded corner. Base adapters transition bead to a 90° corner for installing baseboard. Cut perfect miters with the Miter Marker.

10 OPTIONS | [View & request samples](#) ^

| SAMPLE | NAME | STOCK NUMBER | PIECES PER BOX |
|--------------------------|------------------|--------------|----------------|
| <input type="checkbox"/> | 2 Way | 920 | 50 |
| <input type="checkbox"/> | 2 Way | 920M | 10 |
| <input type="checkbox"/> | Off Angle 3 Way | 921 | 50 |
| <input type="checkbox"/> | Off Angle 3 Way | 921M | 10 |
| <input type="checkbox"/> | 350 Miter Marker | 922 | 40 |
| <input type="checkbox"/> | 350 Miter Marker | 922M | 10 |
| <input type="checkbox"/> | 3 Way | 923 | 50 |
| <input type="checkbox"/> | 3 Way | 923M | 10 |
| <input type="checkbox"/> | Adapter | 926 | 50 |
| <input type="checkbox"/> | Adapter | 926M | 10 |

| RELATED CONTENT | (M)SDS |
|-----------------|--------|
|-----------------|--------|





TIPS

Using Bullnose
Molded Corners &
Base Adapters

BULLNOSE BEADS

350 Bull Corner Bead
& Archway

BULLNOSE BEADS

350 Bull Splayed
Corner Bead

BULLNOSE BEADS

350 Bull Kerfed &
Archway

