

SUNGLOW

9200/9400 SERIES
BATHWARE

Taymor®



AVAILABLE FINISHES

POLISHED
CHROME 26



WHITE



FEATURES

- CONCEALED SURFACE MOUNT
- LIFETIME WARRANTY
- MOUNTING HARDWARE AND INSTALLATION INSTRUCTIONS INCLUDED



SUNGLOW

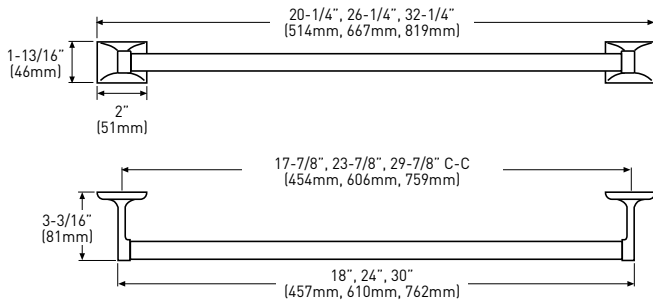
9200/9400 SERIES BATHWARE

CONSTRUCTION: ZAMAC (DIECAST ZINC ALLOY)

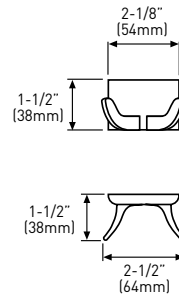
INCLUDES MOUNTING PLATES — 1 1/16" (43mm) x 1 3/16" (30mm); NYLON ANCHORS AND STEEL PHILLIPS HEAD SCREWS — #8 x 1 1/4" (32mm)

		TOWEL BAR TUBE SIZE	TOWEL BAR TUBE MATERIAL	TOWEL RING TUBE MATERIAL	STANDARD PAPER HOLDER ROLLER MATERIAL	PAPER HOLDER/ TOWEL HOLDER MATERIAL
26	SUNGLOW - POLISHED CHROME	3/4" [19mm]	ALUMINUM	ALUMINUM	PLASTIC	N/A
W	SUNGLOW - WHITE	3/4" [19mm]	ALUMINUM	ALUMINUM	PLASTIC	N/A

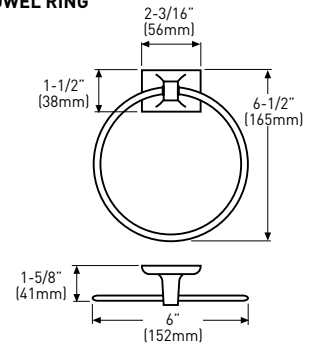
TOWEL BAR



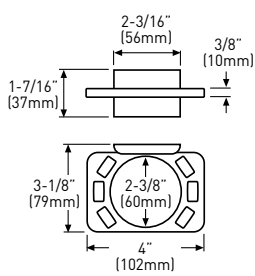
DOUBLE ROBE HOOK



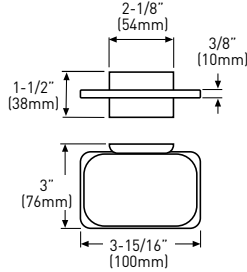
TOWEL RING



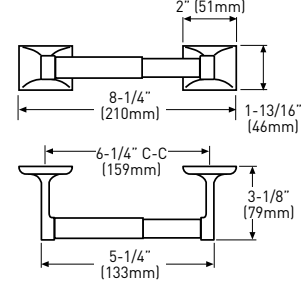
TOOTHBRUSH & TUMBLER HOLDER



SOAP DISH

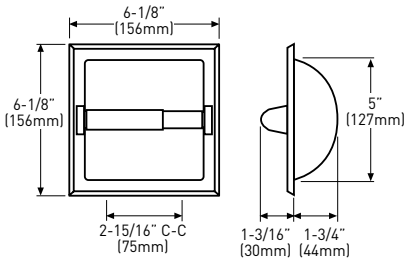


STANDARD PAPER HOLDER



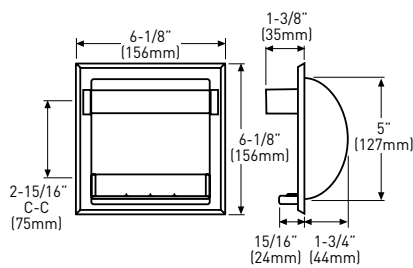
MEASUREMENTS SUBJECT TO A 3% VARIANCE.

RECESSED PAPER HOLDER



WALL OPENING: 5-1/4" [133mm] X 5-1/4" [133mm]

RECESSED SOAP DISH WITH UTILITY BAR



WALL OPENING: 5-1/4" [133mm] X 5-1/4" [133mm]

PHOTO	DESCRIPTION	POLISHED CHROME 26	WHITE	CASE PACK
	18" x 3/4" TOWEL BAR 24" x 3/4" TOWEL BAR 30" x 3/4" TOWEL BAR	02-D940018 02-D940024 02-D940030	02-D9218W 02-D9224W 02-D9230W	4 4 4
	DOUBLE ROBE HOOK	02-D9402	02-D9202W	4
	TOWEL RING	02-D9404	02-D9204W	4
	TOOTHBRUSH & TUMBLER HOLDER	02-D9405	N/A	4
	SOAP DISH	02-D9406	N/A	4
	STANDARD PAPER HOLDER	02-D9408	02-D9408W	4
	RECESSED PAPER HOLDER — SCREW-IN	02-D101S	02-D9101SW	5
	RECESSED SOAP DISH WITH UTILITY BAR — SCREW-IN	02-D102S	N/A	5