

COLUMBIA

5000 SERIES
BATHWARE

Taymor



AVAILABLE FINISHES

SATIN NICKEL
C15



POLISHED CHROME
C26



FEATURES

- EXPOSED SURFACE MOUNT
- LIFETIME WARRANTY
- MOUNTING HARDWARE AND INSTALLATION INSTRUCTIONS INCLUDED



COLUMBIA

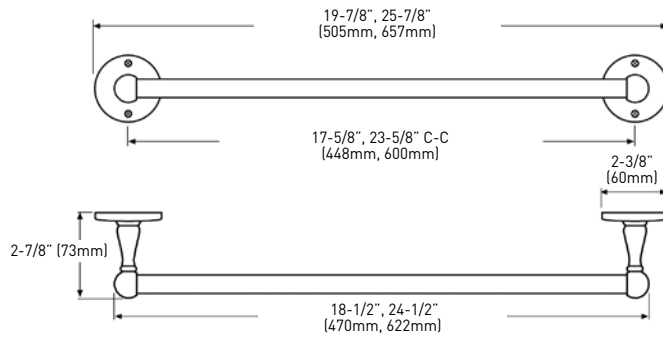
5000 SERIES BATHWARE

CONSTRUCTION: ZAMAC (DIECAST ZINC ALLOY)

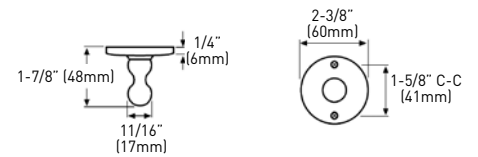
INCLUDES NYLON ANCHORS AND STEEL PHILLIPS HEAD SCREWS — #8 x 1-1/4" [32mm]

		TOWEL BAR TUBE SIZE	TOWEL BAR TUBE MATERIAL	TOWEL RING TUBE MATERIAL	STANDARD PAPER HOLDER ROLLER MATERIAL	PAPER HOLDER/ TOWEL HOLDER MATERIAL
C15	SATIN NICKEL	5/8" [16mm]	ALUMINUM	ALUMINUM	PLASTIC	ZINC ALLOY
C26	POLISHED CHROME	5/8" [16mm]	ALUMINUM	ALUMINUM	PLASTIC	ZINC ALLOY

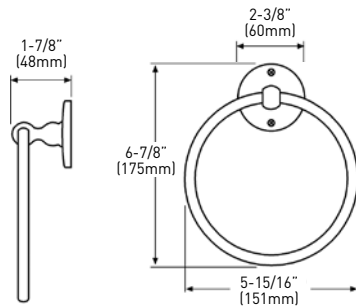
TOWEL BAR



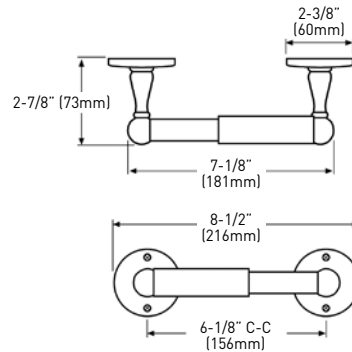
SINGLE ROBE HOOK



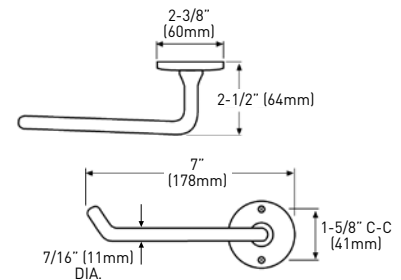
TOWEL RING



STANDARD PAPER HOLDER



PAPER HOLDER



MEASUREMENTS SUBJECT TO A 3% VARIANCE.

PHOTO	DESCRIPTION	SATIN NICKEL C15	POLISHED CHROME C26	CASE PACK
	18" x 5/8" TOWEL BAR 24" x 5/8" TOWEL BAR	02-D5018SN 02-D5024SN	02-D5018 02-D5024	4 4
	SINGLE ROBE HOOK	02-D5001SN	02-D5001	4
	TOWEL RING	02-D5004SN	02-D5004	4
	STANDARD PAPER HOLDER	02-D5008SN	02-D5008	4
	PAPER HOLDER	02-D5048SN	02-D5048	4